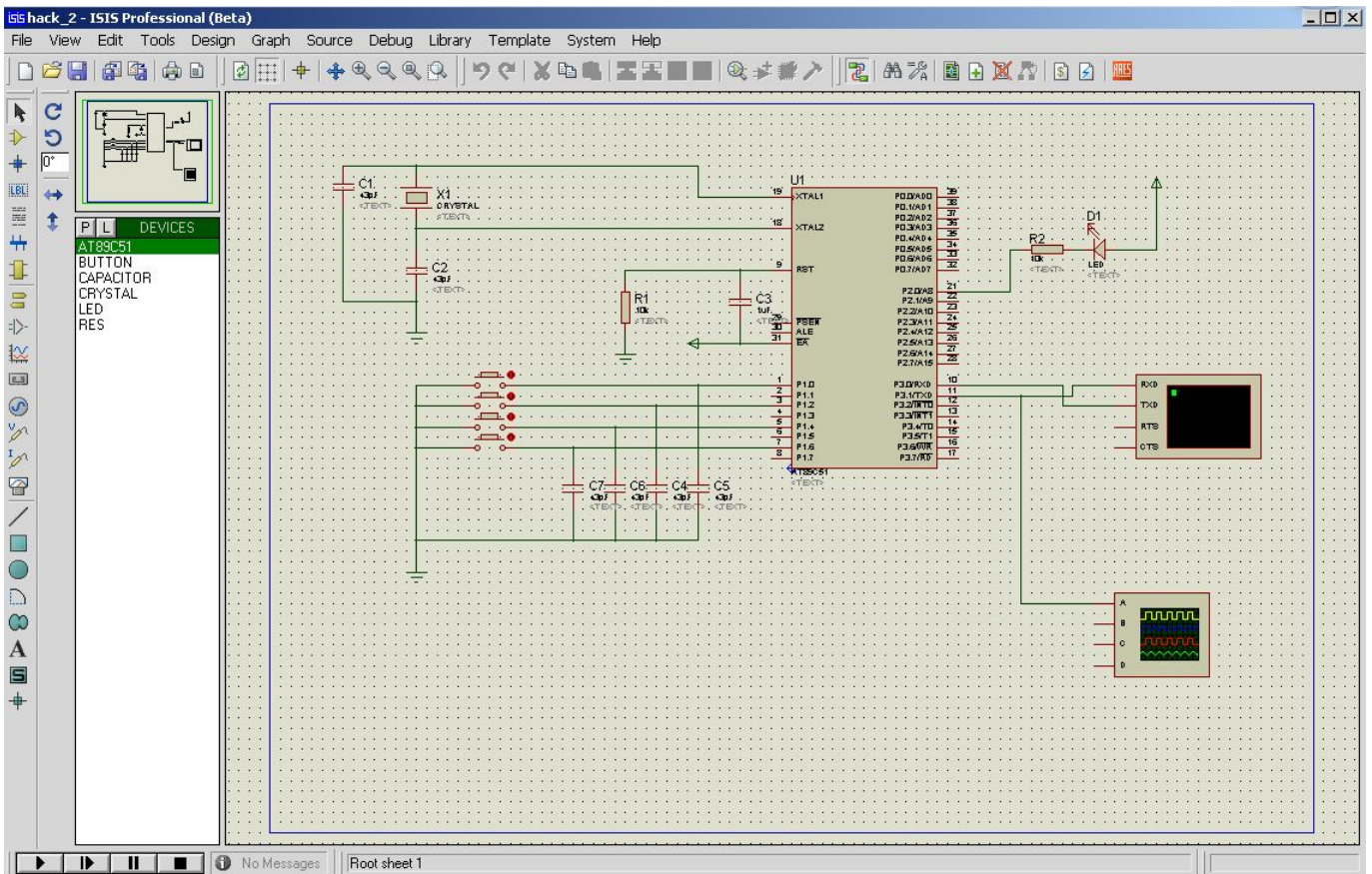




[Library Proteus Rar](#)



[Library Proteus Rar](#)



---

Download the Library Files zip Folder from our website, open it and paste these two files ARDUINO.LIB and ARDUINO.IDX files in to Library folder. If you are .... You must also give a try to Genuino Library for Proteus. I have already posted few other Arduino Libraries on my blog but those were third party Libraries and has .... arduino library for proteus,arduino uno library for proteus,arduino mega ... In the link , you will get a rar/zip file you will have two files, named as:. Aug 11, 2020 - This Pin was discovered by Scottyncgach. Discover (and save!) your own Pins on Pinterest.. Proteus Arduino Library.rar. First of all, download as zip any Proteus Library, let's use this Vibration Sensor Library for Proteus. You will get a .rar file after .... Download Proteus Library of Components. The simulation model of an electronic component contains the information about the input and .... I don't know Proteus, but I think HC05 a bluetooth module? If so, the module interface from HC05 arduino is done through Serial (UART) communication.

The Proteus simulation program works especially well for testing microcontroller projects, but at least it gives some insight. Proteus libraries for.. Download Library First, download the library for Proteus Genuino button below: Download File Now. In the link above, you will get a rar file will have two files, .... How to Install an Arduino Library For Proteus ? First of all you have got to download the Arduino library for the Proteus software. ... Proteus+Arduino+Library.rar. In today's post, I am going to share Arduino Library for Proteus. I am quite excited about today's post as its my first complete Arduino.... library proteus 8 raspberry pi library proteus download library proteus 8 esp8266 cf48db999c. Library Proteus Rar. Library Proteus rar.. The Proteus simulation program works especially well for testing microcontroller projects, but at least it gives some insight. Proteus libraries for.. install arduino library for proteus,how to install arduino for ptoteus, arduino library ... After downloading the file extract the .rar file and copy the two file name as .... Proteus Library Update 12 - nibbiconcrete.com PROTEUS - Edasim ... arduino diatas maka anda akan mendapatkan file berbetuk \*.rar , .... proteus,proteus arduino library.rar download,proteus arduino linux,proteus arduino ldr,arduino proteus library files,proteus 8 arduino library .... فایل دانلود -- فایل دانلود Arduino-Library-for-Proteus.rar. حجم: 15.37 KB. دانلود تعداد: 817. شده آپلود: 1473 قبل روز.. www.pudn.com > proteus-isis-extra-model-library-dosyalari.rar > BFR90A.lib, change:2004-01-23,size:1631b. \* BFR92AW SPICE MODEL \* PHILIPS .... Proteus Arduino Library.rar - Google Drive. ESP8266 is a very powerful and 802.11b/g/n protocol based low cost WiFi module. It is contained with a sufficient .... library proteus, library proteus arduino, library proteus arduino uno, library proteus download, library proteus 8.6, library proteus arduino nano, ...

1254b32489

[Imax Space Station 3d 1080p Half-sbs Ac3 23](#)  
[Tales Of Symphonia - Dawn Of The New World Wii NTSC-WBFS.zip Hit](#)  
[vienna symphonic library keygen torrent mac](#)  
[Agneepath Telugu Dubbed Movie Free Download](#)  
[Media Player For Apocalypso](#)  
[mapeditorfarcry4crackonly](#)  
[kanjimastern4pdffree](#)  
[prakasam parathunna oru penkutty pdf download](#)  
[Innovacion Empresarial Rodrigo Varela 12.pdf](#)  
[silabus rpp teknik kendaraan ringan smk 12](#)